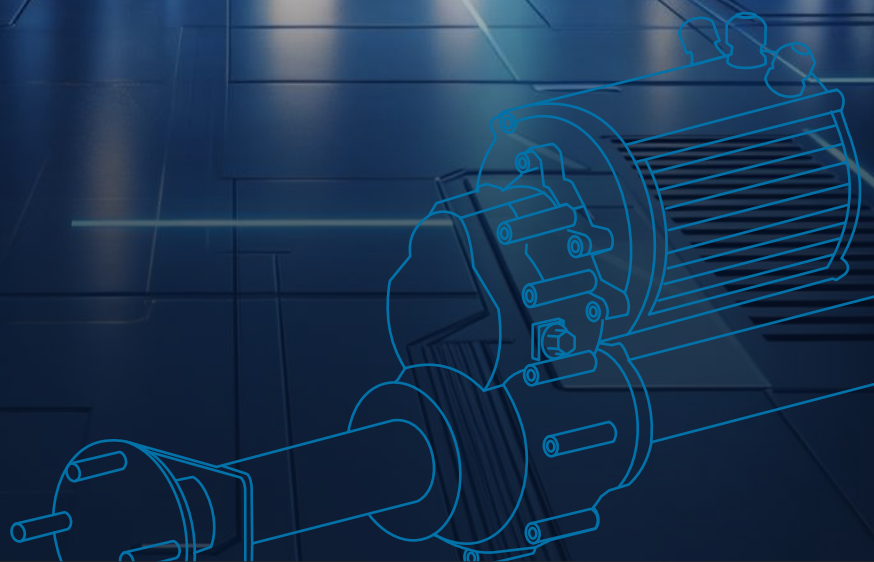




rotodrive
Powering e-mobility

DRIVE SOLUTIONS FOR E-VEHICLES





EV Drive Train Manufacturing Unit

Rotodrive is a division of Rotomotive Powerdrives India Limited, part of the Rotomag Group, with over 25 years of expertise in manufacturing PMDC, BLDC, and AC motors, along with gearboxes for battery-operated, industrial, and marine applications.

Designed for the Indian operating environment, Rotodrive Drive Solutions deliver reliable performance under harsh conditions and wide temperature variations. Backed by strong in-house R&D, rigorous testing, and a pan-India support network, Rotodrive enables dependable, high-efficiency drive trains and enhanced return on investment, positioning the brand as a trusted partner in advanced drive technologies.

12 LACS +

MOTORS & GEARBOXES
SUCCESSFULLY DELIVERED

70+

SERVICE CENTERS
IN INDIA

2 LACS SQFT

STATE-OF-THE-ART
MANUFACTURING FACILITY

35+

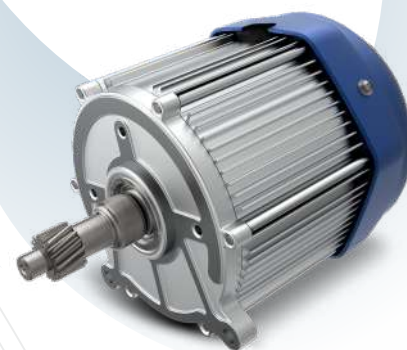
COUNTRIES SERVED
THROUGH GLOBAL EXPORTS



E2 SERIES

MAIN FEATURES

- RngMX Motor • BLDC Motor • Fan Cooled • Hall Sensor
- IP - 65 • Pinion Shaft & Keyway Shaft
- Efficient Motor (BLDC \geq 80%, RngMX \geq 85% Efficiency)



RngMX MOTOR SPECIFICATIONS & DIMENSIONS

Power (kW)	Rated Voltage (VDC)	Rated Torque (Nm)	Rated Current (Amps DC)	Rated Speed (RPM)	Pinion Data		Dimensional Data		
					Module	No. of Teeth	A	B	C
1	48	2.8	24.5	3400	1.25	16	212	50	66
1.2		3.4	29.5	3400					
1.5		3.7	37	3900			242		

BLDC MOTOR SPECIFICATIONS & DIMENSIONS

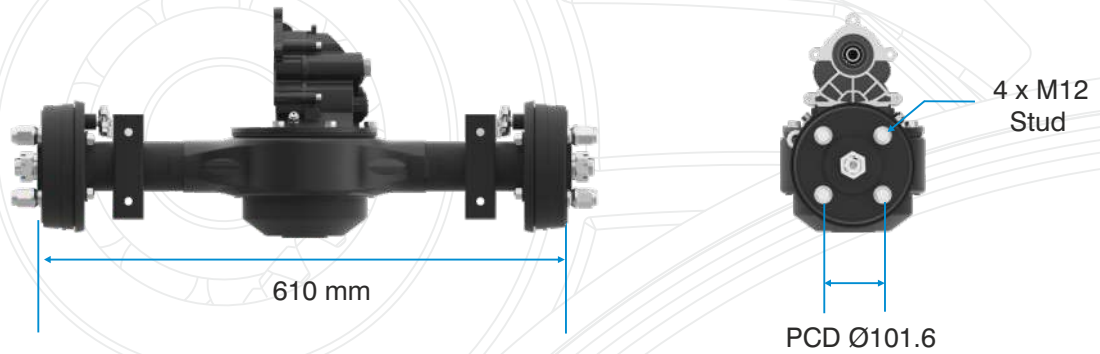
Power (kW)	Rated Voltage (VDC)	Rated Torque (Nm)	Rated Current (Amps DC)	Rated Speed (RPM)	Pinion Data		Dimensional Data		
					Module	No. of Teeth	A	B	C
1	48	3.5	32	3000	1.25	16	212	50	66
1.2		4.1	35						
1.5		49	3500	242					

CONTROLLER SPECIFICATIONS

Power (kW)	Voltage (VDC)	Max. Current (Amps DC)	Cooling	Efficiency
1	48	50	Naturally Cooled	\geq 80%
1.2		55		
1.5		60		



GEARBOX & DIFFERENTIAL SPECIFICATIONS



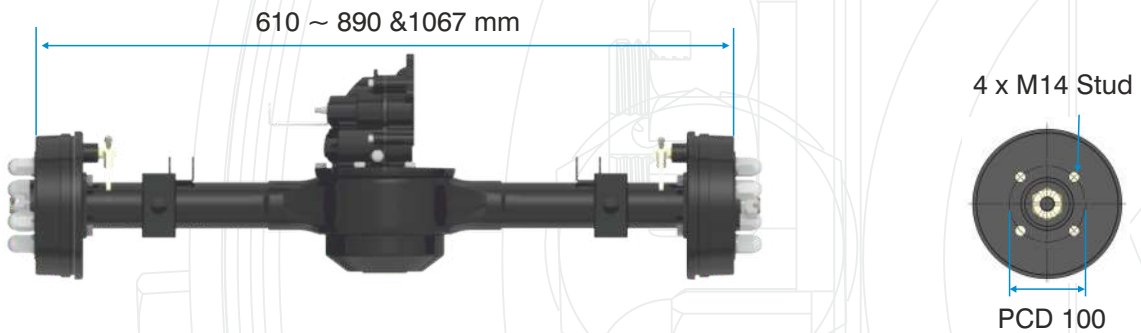
Single Speed Rigid Type Differential

Power (kW)	Size (mm)	Ratio (l)	Torque (Nm)
1	610	1:8.3 / 1:10 / 1:20.8	26 / 32 / 66
1.2			31 / 37 / 77
1.5			31 / 37 / 77
2			37 / 45 / 94

Double Speed Rigid Type Differential

Power (kW)	Size (mm)	Ratio (l)	Torque (Nm)
1	610	1:8.3 & 1:20.8	26 & 66
1.2			31 & 77
1.5			31 & 77
2			37 & 94

GEARBOX & DIFFERENTIAL SPECIFICATIONS



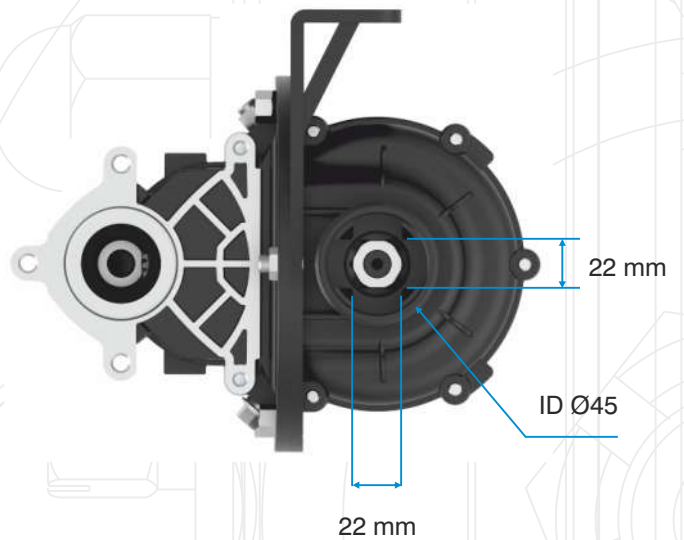
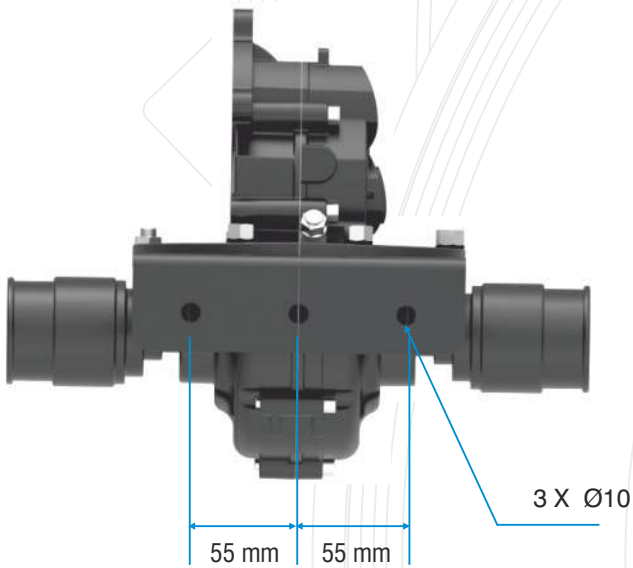
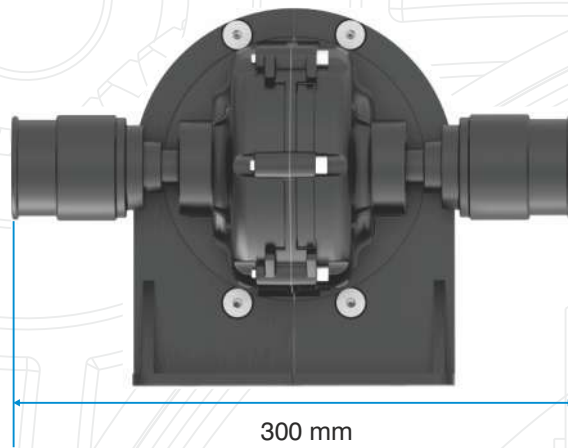
Single Speed Rigid Type Differential

Power (kW)	Size (mm)	Ratio (l)	Torque (Nm)
1	610~ 890 & 1067	1:8.3 / 1:10 / 1:20.8	26 / 32 / 66
1.2			31 / 37 / 77
1.5			31 / 37 / 77
2			37 / 45 / 94

Double Speed Rigid Type Differential

Power (kW)	Size (mm)	Ratio (l)	Torque (Nm)
1		1:8.3 & 1:20.8	26 & 66
1.2			31 & 77
1.5			31 & 77
2			37 & 94

L3 FLOATING TYPE DIFFERENTIAL



Single Speed Differential

Power (kW)	Size (mm)	Ratio (l)	Torque (Nm)	Cup Details
1	300	1:8.3 / 1:10 / 1:20.8	26 / 32 / 66	Biopod Cups
1.2			31 / 37 / 77	
1.5			31 / 37 / 77	
2			37 / 45 / 94	

Double Speed Differential

Power (kW)	Size (mm)	Ratio (l)	Torque (Nm)	Cup Details
1	300	1:8.3 & 1:20.8	26 & 66	Biopod Cups
1.2			31 & 77	
1.5			31 & 77	
2			37 & 94	



E2X RIGID POWERTRAIN

MAIN FEATURES

- Suitable for medium speed vehicle (MSV) • Cost Effective (L3 < E2X < L5)
- Available with Mechanical & Hydraulic Brake (Rigid Type) • Three Separate Lead Wires
- Ingress Protection - IP65 • Motor with High Efficiency Sine Wave Technology
- Regeneration CAT A and CAT B • Controller with Eco, Drive and Boost Mode



MOTOR SPEC.							DIFFERENTIAL SPEC.				CONTROLLER SPEC.	
Power (kW)	Rated Voltage (VDC)	Rated Torque (Nm)	Rated Current (Amps DC)	Peak Power (kW)	Peak Torque (Nm)	Cooling	Size (mm)	Ratio I	Torque (Nm)	Brake 180	Max Current Amps DC	Cooling
2	72	5	35A	3	49/60	Fan Cooled	424	8/10/12	46/57/68	Mechanical & Hydraulic	85	Natural Cooled
3	48/60/72	64	63	6	63	Fan Cooled	1067	8/10/12	46/57/68	Hydraulic	85	Natural Cooled



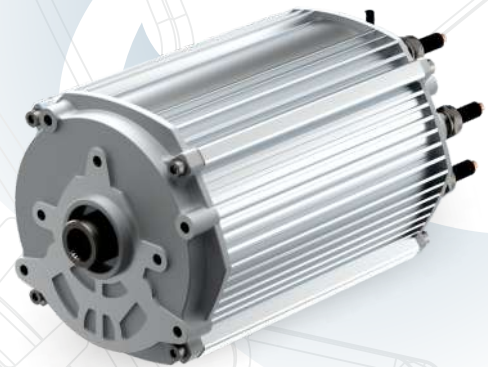
MOTOR SPEC.							DIFFERENTIAL SPEC.				CONTROLLER SPEC.	
Power (kW)	Rated Voltage (VDC)	Rated Torque (Nm)	Rated Current (Amps DC)	Peak Power (kW)	Peak Torque (Nm)	Cooling	Size (mm)	Ratio I	Torque (Nm)	Cups Details	Max Current Amps DC	Cooling
2	48/60	6.3	49 / 39	3	32	Fan Cooled	300	8/10/12	46/57/68	Bipod Cups	85	Natural Cooled



E6 SERIES

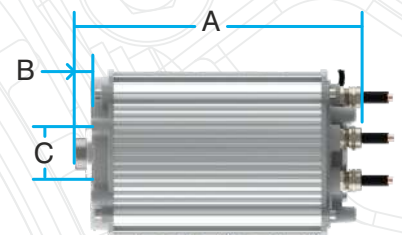
MAIN FEATURES

- PMSM Motor • Naturally Cooled
- Encoder • IP - 65
- Internal Spline Shaft
- Efficient Motor ($\geq 90\%$ - Efficiency)



MOTOR SPECIFICATIONS & DIMENSIONS

Power (kW)	Rated Voltage (VDC)	Rated Torque (Nm)	Rated Current (Amps DC)	Rated Speed (RPM)	Internal Spline Data		Dimensional Data		
					Module	No. of Teeth	A	B	C
3	60	6.4	59	4500	1	18	256	16	50
4		8.5	79				276		
5		10.6	98				296		
6		12.7	118				296		



CONTROLLER SPECIFICATIONS

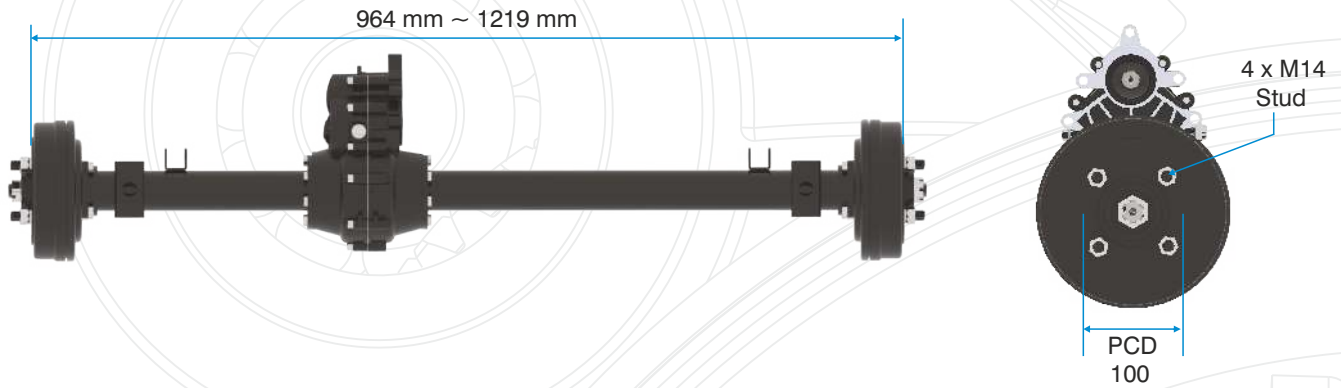
Power (kW)	Voltage (VDC)	Max. Current (Amps DC)	Cooling	Efficiency
3	60	100	Naturally Cooled	$\geq 90\%$
4		130		
5		190		
6		230		

Available with CAN



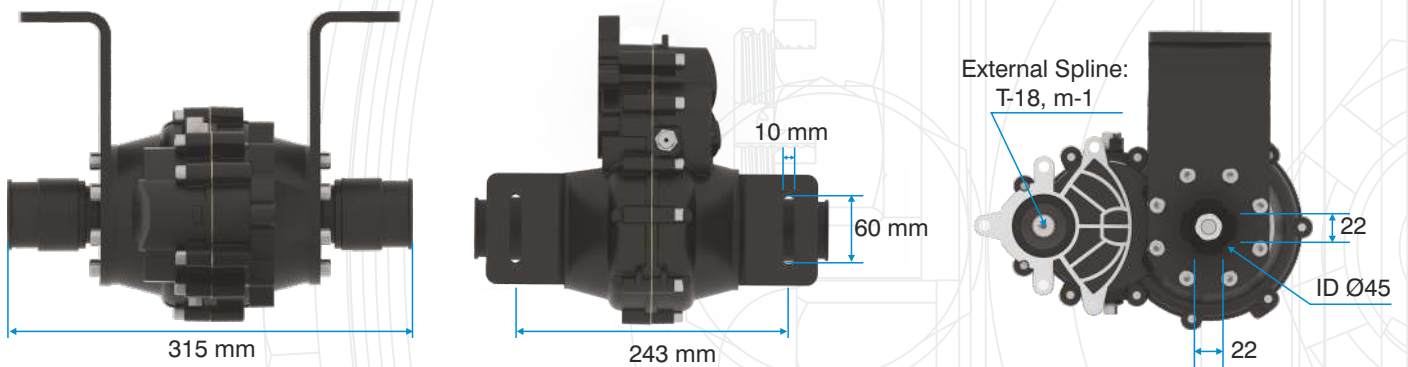
E6 SERIES

L5 SINGLE SPEED RIGID TYPE DIFFERENTIAL



Power (kW)	Size (mm)	Ratio (l)	Torque (Nm)	Brake
3	964 ~1219	1:8 / 1:10 / 1:12	68 / 86 / 103	Ø180 Hydraulic brake
4			92 / 114 / 137	
5			114 / 143 / 172	
6			137 / 171 / 205	

L5 SINGLE SPEED FLOATING TYPE DIFFERENTIAL



Power (kW)	Size (mm)	Ratio (l)	Torque (Nm)	Cup Details
3	315	1:8 / 1:10 / 1:12	68 / 86 / 103	*Biopod cups
4			92 / 114 / 137	
5			114 / 143 / 172	
6			137 / 171 / 205	



E10 & E15 SERIES

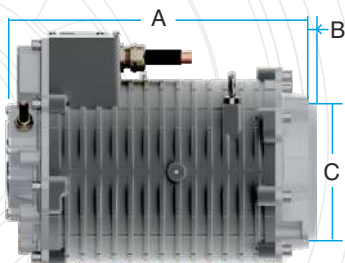
MAIN FEATURES

- PMSM Motor • Naturally Cooled
- Liquid Cooled • Encoder • IP - 65
- Internal Spline Shaft
- Efficient Motor ($\geq 90\%$ - Efficiency)



MOTOR SPECIFICATIONS & DIMENSIONS

Series	Power (kW)	Rated Voltage (VDC)	Rated Torque (Nm)	Rated Current (Amps DC)	Rated Speed (RPM)	Internal Spline Data		Dimensional Data			
						Module	No of Splines	A	B	C	
E10 Series	6	60	19	111	3000	1	18	200	9	155	
	7.5	72	23.8	115				220			
	10		31.8	154							
E15 Series	12	96	45.8	138	2500	1	18	355	9	155	
	13.8	92	26	156							2500
	15	96	57.3	160							
			29	184							5000





E10 & E15 SERIES

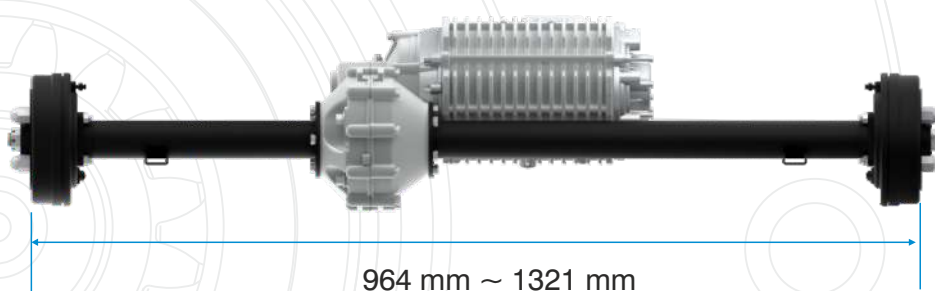
CONTROLLER SPECIFICATIONS

Series	Power (kW)	Voltage (VDC)	Max. Current (Amps DC)	Cooling	Efficiency
E10 Series	6	60	200	Naturally Cooled	≥90%
	7.5	72	160		
	10		200		
E15 Series	12	96	325		
	15	96	420		



DIFFERENTIAL SPECIFICATIONS

Series	Power (kW)	Size (mm)	Ratio (l)	Torque (Nm)	Break
E10 Series	6	964 ~1219	1:10/ 1:16	171/274	Ø180/ Ø1120 Hydraulic brake
	7.5			214/343	
	10			286/458	
E15 Series	12			412/660	
	13.8			234/374	
	15	516/825			





Rotomotive Powerdrives India Ltd.

223, Napa Talpad, Gana-Borsad Road,
Tal: Borsad, Anand-388560 Gujarat, India

Phone : +91 93167 49042 / +91 93279 22250

Email : rotodrive@rotomotive.com

Web : www.rotodrive.com

Technical specifications/details mentioned in this leaflet are subject to change without prior notice.
Please contact our sales/marketing team for any updated information or any change done.

Rotodrive™ is a brand of Rotomotive Powerdrives India Ltd.